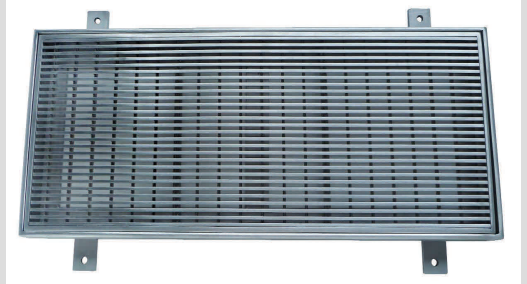
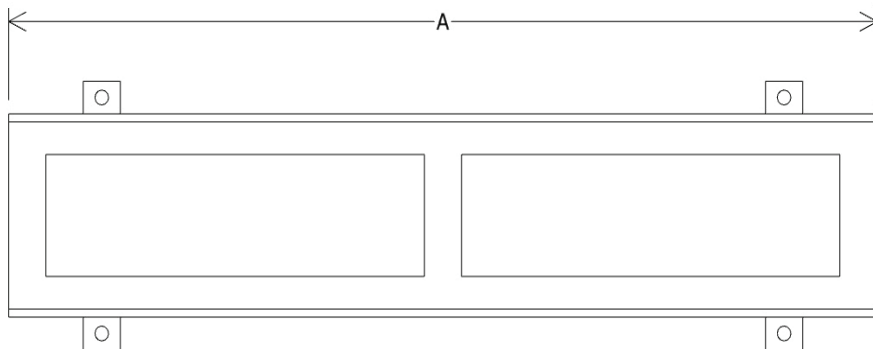
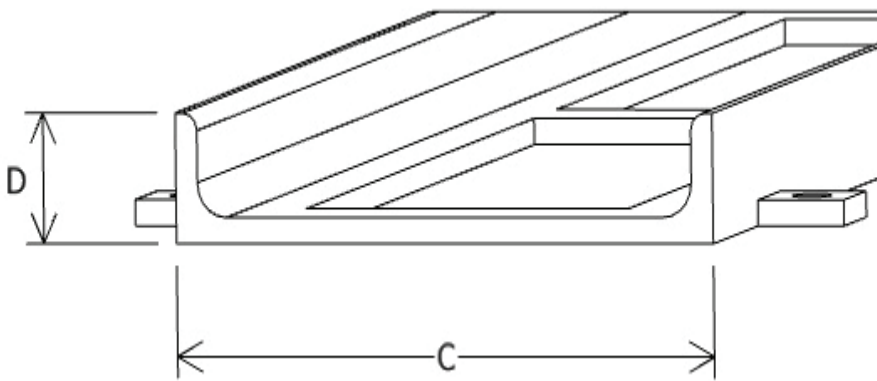


Heavy traffic grate & Trough



Complete with concrete ties and angle framed ends to enclose frame work the traffic grate and troughs are manufactured from HR angle for heavy loads. They can also be manufactured with the grate running front to back.

Can be made to any size

Additionally they are adaptable to suit our range of quality architectural drainage systems.

FEATURES & BENEFITS

- Trough thickness 3mm
- 316 grade s/s
- Manufactured to your specifications
- Quick turn around
- Delivered to site

For enquires, quotes or to place an order
Call 0243224955



Australian Owned
& Manufactured

