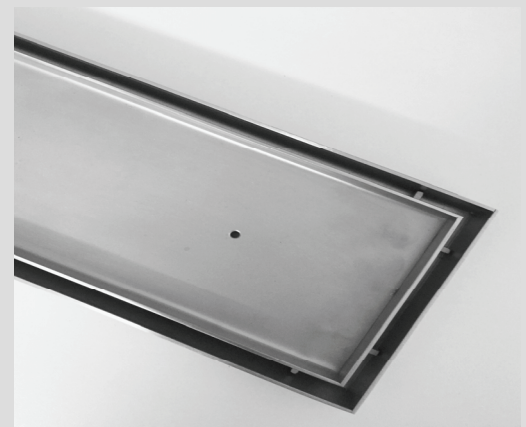
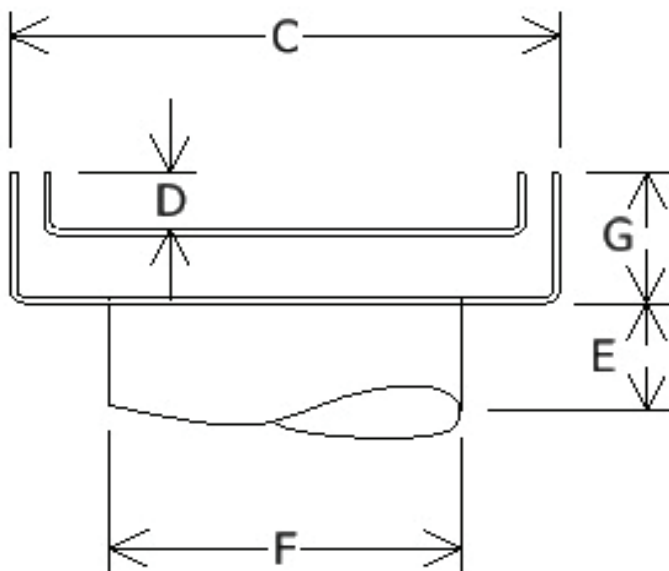
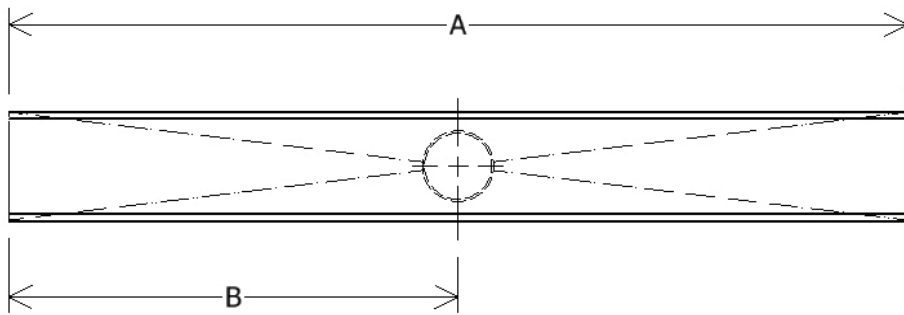


Tile Insert & Trough

TI-80-304 TI-80-316 TI-115-304 TI-115-316



Lineal Tile Insert drains are a contemporary look for bathrooms, balconies and paved areas. Custom made to suit your tile sizes. Designed for maximum drainage.

Additionally they are adaptable to suit our range of quality architectural drainage systems.

FEATURES & BENEFITS

- Trough thickness 2mm
- 304 or 316 grade s/s
- Manufactured to your specifications
- Quick turn around
- Delivered to site

For enquires, quotes or to place an order
Call 0243224955



Australian Owned
& Manufactured

