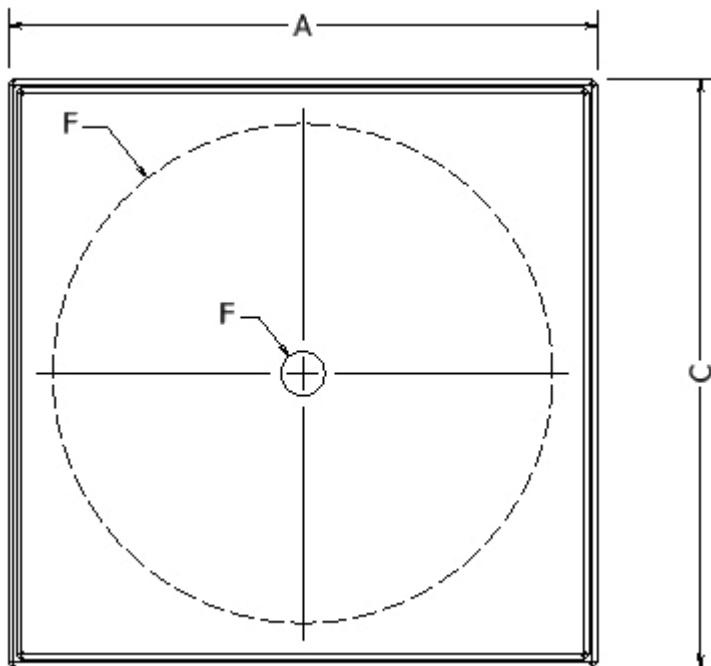


Swimming pool skimmer tile insert

SPS330



Swimming pool skimmer tile inserts are designed to conceal and complement your pool surroundings. With minimal clearance your paver or tile cover will be encased by a 3mm s/s wall which will protect it from chipping or cracking. When being removed.

Can be made to any size

Additionally they are adaptable to suit our range of quality architectural drainage systems.

FEATURES & BENEFITS

- Trough thickness 3mm
- 316 grade s/s
- Manufactured to your specifications
- Quick turn around

For enquires, quotes or to place an order
Call 0243224955



Australian Owned
& Manufactured

